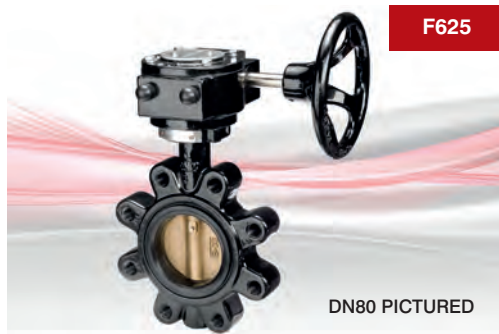


# F615 / F629 / F628B

Fully-Lugged Gearbox Operated Butterfly Valves

PN16



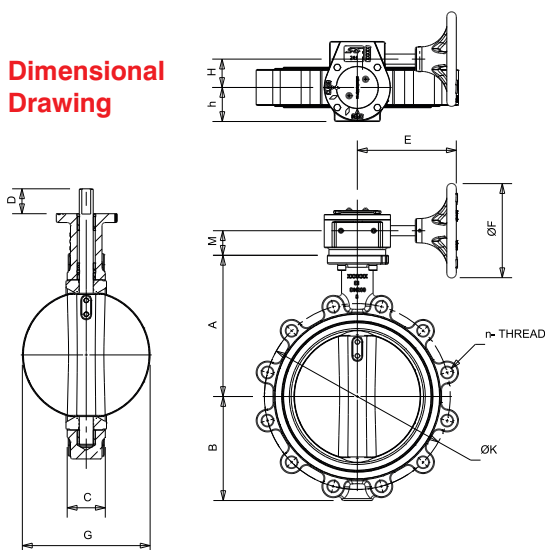
## Features & Benefits

- Robust, ductile iron valve body for long life service
- Valve body fully-lugged for secure installation
- The anti-blow out stem design provides a safe and secure operation
- Fully bonded epoxy paint system for superior corrosion resistance
- Suitable for applications where Level 3 C3 (Medium) corrosion protection is required
- Maintenance free valve design, reducing downtime
- Suitable for a wide temperature range -10°C to 130°C

## Materials

PART	MATERIAL
Body	Ductile Iron ASTM A536 (Epoxy Paint)
Disc	Aluminium Bronze
Liner (615)	Nitrile Temp. -10 to 90°C
Liner (F629/F628B)	EPDM (High Temperature) Temp. -10 to 130°C
Shaft	Stainless Steel Type 410
Taper Pin	Stainless Steel Type 316
O-Ring	Buna-N
Bushing	PTFE
Gearbox	Cast Iron

## Dimensional Drawing



## Pressure/Temperature Ratings

	F615	F629/F628B
MAX TEMPERATURE (°C)	-10 to 90	-10 to 130
PRESSURE (BAR)	16	15.7

Intermediate pressure ratings shall be determined by interpolation.

## Dimensions & Weights

SIZE (mm)	WEIGHT (kg)		A (mm)	B (mm)	C (mm)	D (mm)	E (mm)	F (mm)	G (mm)	H (mm)	h (mm)	M (mm)	Kv	N-THREAD
	BARESHAF VALVE	GEARBOX OPERATED												
50	3.3	8.3	109	72	43	32	157	150	52.9	45	54	39	98	4- M16x2.0
65	3.8	8.7	131.5	82	46	32	157	150	64.6	45	54	39	167	4- M16x2.0
80	4.7	9.7	134	90	46	32	157	150	79	45	54	39	258	8- M16x2.0
100	6.2	11.2	163	108	52	32	157	150	104.4	45	54	39	512	8- M16x2.0
125	8.9	13.9	169	125	56	32	157	150	123.5	45	54	39	872	8- M16x2.0
150	11.0	15.8	179	142	56	40	157	150	155.8	45	54	39	1,347	8- M20x2.5
200	16.1	23.0	224	165	60	40	238	150	202.7	45	54	39	2,675	12- M20x2.5
250	34.5	44.9	264	215	68	40	238	300	250.7	63	81	41.5	4,555	12- M24x3.0
300	51.2	64.2	299	240	78	40	223.5	300	301.9	78	81	38.3	7,037	12- M24x3.0
350	62.9	226.0	368	264	78	-	223.5	300	334	78	81	46.5	6,003	12- M24x3.0
400	97.8	277.0	400	299	86	-	277	450	390	78	81	39	8,885	16- M27x3.0
450	109.7	277.0	422	317.5	105	-	325	450	441	185	160	120	10,419	16- M27x3.0
500	175.5	332.0	479	352.5	130	-	325	450	492	185	160	120	13,613	20- M30x3.5
600	287.3	357.0	562	444	154	-	340	450	597	185	160	126	17,801	20- M33x3.5

\*Kv coefficient denotes valves in fully open position

### PRESSURE RATING: PN16

#### TEST PRESSURES:

Shell: 24 Bar Seat: 17.6 Bar

**SPECIFICATION:** Gearbox operated epoxy coated Ductile Iron Body. Semi-lugged. Aluminium Bronze disc. EPDM liner. To suit flange connections BS EN 1092-2 PN16. Valves may be used for flow regulation. Valve design conforms to BS EN 593. Face to face conforms to BS EN 300.

### MEDIUM:

F615 - Suitable for Group 1 and 2 gases and Group 1 and 2 liquids as defined by the Pressure Equipment Directive 2014/68/EU.\*

F628B / F629 - Suitable for Group 2 liquids as defined by the Pressure Equipment Directive 2014/68/EU.\*